

Established in 2006, D&D Global is an industry leader in quality power transmission drive belts. We consistently adhere to the highest quality standards using our vertical integration process in manufacturing, where every component of belt production is self-sourced and manufactured, keeping costs low.

With more than \$22 million in inventory, 35,000 SKUs, over 100 sales & customer support members, and 160,000 square feet of warehouse space in four convenient distribution centers across the United States, we're fully prepared to exceed our partners' expectations.

Interested in reviewing the independent test result data against one of the nation's leading competitors?

Contact us via email at sales@ddglobal.com or call (877) 784-9267.



877.784.9267
sales@ddglobal.com



www.ddglobal.com



RELIABILITY IN EVERY REVOLUTION

V-BELTS


[EXPLORE OUR WEBSITE](#)



RELIABILITY IN EVERY REVOLUTION

www.ddglobal.com


Dura-Prime™ Classical



Example: A50
A = cross section
50 = inside circumference in inches

1/2" A 5/16" 21/32" B 7/16" 7/8" C 17/32" 1 1/4" D 3/4" 1 1/2" E 29/32"


Dura-Prime™ Metric



Example: SPA1700
SPA = cross section
1700 = effective length in mm

10 mm SPZ 8 mm 13 mm SPA 10 mm 17 mm SPB 13 mm 22 mm SPC 18 mm


Dura-Extreme™ Elite Band Wedge



Example: 3/5VX1320E
3 = 3 bands
5VX = cross section
132 = outside circumference in inches
E = Elite (heat and oil resistant)
Available Sections: 3VX, 5VX

Top Width Height


Dura-Prime™ Hex



Example: AA110
AA = cross section
110 = inside circumference in inches

1/2" AA 13/32" 21/32" BB 17/32" 7/8" CC 11/16"


Dura-Prime™ Band Classical & Metric



Example: 3/A150
3 = 3 bands
A = cross section
150 = inside circumference in inches
Available Sections: A, B, C, SPA, SPB, SPC

Top Width Height


Dura-Extreme™ Elite Classical



Example: AX50E
AX = cross section
50 = inside circumference in inches
E = Elite (heat and oil resistant)

1/2" AX 5/16" 21/32" BX 7/16" 7/8" CX 17/32" 1 1/4" DX 3/4"


Dura-Extreme™ Elite Metric



Example: XPA640E
XPA = cross section
640 = effective length in mm
E = Elite (heat and oil resistant)

10 mm XPZ 8 mm 13 mm XPA 10 mm 17 mm XPB 13 mm 22 mm XPC 18 mm


Dura-Extreme™ Auto



Example: 17250
17 = 17/32" top width
25 = effective length in inches

15/32" 15 5/16" 17/32" 17 11/32" 22/32" 22 7/16" 28/32" 28 9/16"


Dura-Prime™ Wedge



Example: 3V190
3V = cross section
19 = outside circumference in inches

3/8" 3V 21/64" 5/8" 5V 35/64" 1" 8V 7/8"

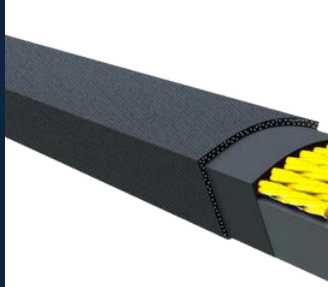
Dura-Extreme™ Elite Band Classical



Example: 2/AX50E
2 = 2 bands
AX = cross section
50 = inside circumference in inches
E = Elite (heat and oil resistant)
Available Sections: AX, BX, CX, XPA, XPB

Top Width Height


Dura-Ultimate™ Classical & Wedge



Example: AK138
A = cross section
K = aramid cord
138 = inside circumference in inches

1/2" AK 5/16" 21/32" BK 7/16" 7/8" CK 17/32" 1 1/4" DK 3/4" 3/8" 3VK 21/64" 5/8" 5VK 35/64" 1" 8VK 7/8"

Dura-Prime™ Rib Pro Serpentine




Example: 905J3
90.5 = effective length in inches
J = cross section
3 = number of ribs
Available Sections: J, K, L, M

J .16" .092"

***Also available in Elite.**


Dura-Prime™ Band Wedge



Example: 3/5V2500
3 = 3 bands
5V = cross section
250 = outside circumference in inches
Available Sections: 3V, 5V, 8V

Top Width Height


Dura-Extreme™ Elite Wedge



Example: 3VX210E
3VX = cross section
21 = outside circumference in inches
E = Elite (heat and oil resistant)

3/8" 3VX 21/64" 5/8" 5VX 35/64" 1" 8VX 7/8"

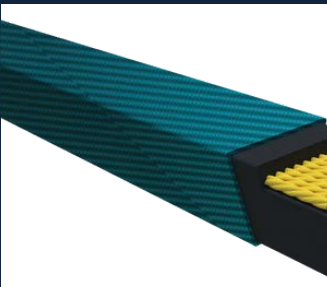
Dura-Ultimate™ Band Classical & Wedge



Example: 10/BK70
10 = 10 bands
B = cross sections
70 = inside circumference in inches
Available Sections: BK, CK
Available Sections: 3VK, 5VK, 8VK

Top Width Height

Dura-Ultimate™ Dry-Wrapped



Example: 4LK1400
4LK = cross section
K = aramid cord
140 = outside circumference in inches

3/8" 3LK 7/32" 1/2" 4LK 5/16" 21/32" 5LK 3/8"